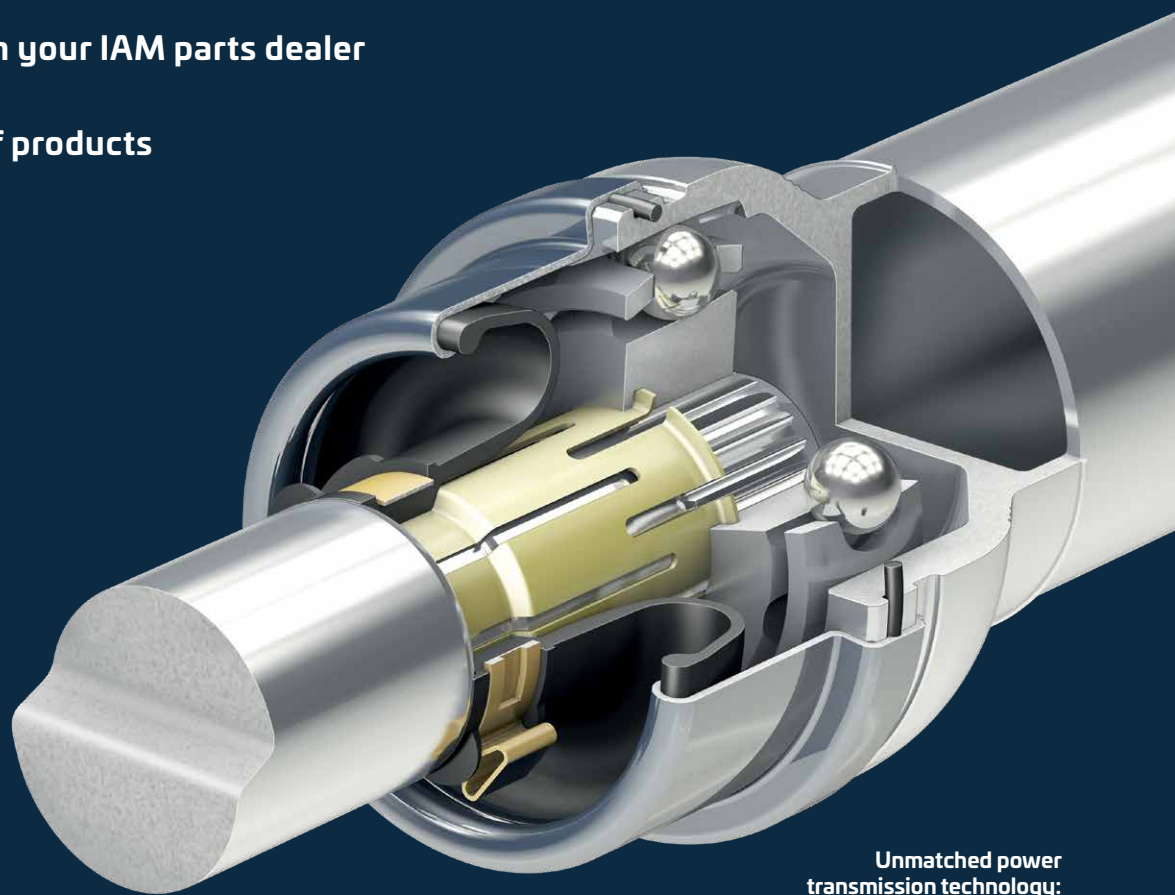


Premium Propshafts from GKN Automotive

Propshafts from GKN Automotive offer you three benefits:

- ✓ Premium OE quality
- ✓ Available from your IAM parts dealer
- ✓ Wide range of products



**Unmatched power
transmission technology:**
Detail view of a propshaft
for the Audi Q5

Let's keep riding our wave of success together!

Only the best quality is good enough when it comes to replacing propshafts in cars, SUVs and light commercial vehicles. Manufacturing these high-tech components calls for a wealth of expertise and high-precision production facilities. You can rely on propshafts from GKN Automotive because they meet these stringent demands and exactly match the products supplied to OEMs.

High-tech shafts for safety and comfort:

- > Propshafts from GKN Automotive meet the toughest safety standards from vehicle manufacturers
- > Ultra-modern technologies make smaller, lighter and extremely heat-resistant joints possible
- > Highly advanced tube materials, filled tubes for vibration and noise optimisation, variable tube diameters and lightweight, thin-walled tubes
- > Crash-optimised compositions
- > Precision-balanced shafts to OEM specifications minimise vibrations and maximise ride comfort

Manufactured precisely to OEM specifications: Propshaft from GKN Automotive for the Audi Q5



The booming SUV and AWD segments are driving the demand for replacement solutions of high technical quality.

We have the right product for every application:

- > Complete, OEM-quality propshafts
- > Applications for all renowned manufacturers
- > Propshafts for all vehicle categories from mini SUVs to light commercial vehicles
- > 22 million vehicle links in TecDoc
- > Sole supplier of the latest joint technologies on the spare parts market

Ordering couldn't be easier:

- > Simply order through the TecDoc catalogue, or use the dealers' parts search programs

Safety as standard:

The Ballspline plunge unit from GKN Automotive, shown here as a sectional view in the lower half of the shaft, enables the component to become shorter in a crash (example from the VW Amarok).

